

SERIES

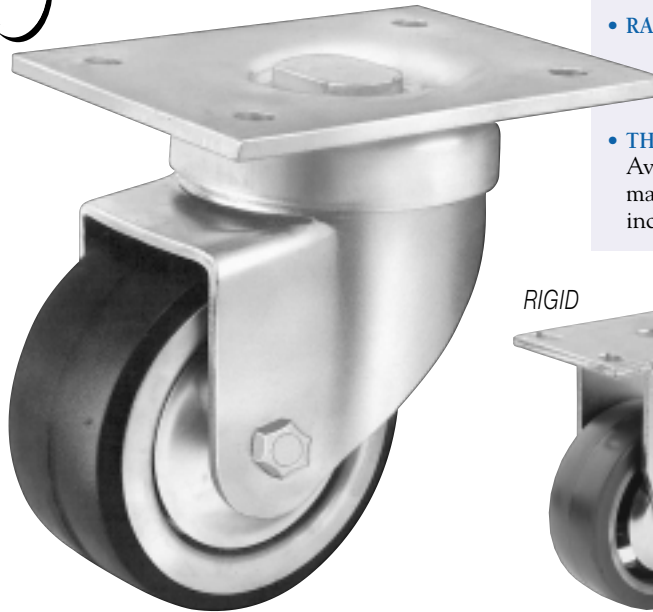
Heavy Duty Industrial

Load Capacity: 550 to 1,500 lbs.

Quality Features

- FOUR-SIDED DOUBLE BALL BEARING RACEWAY.**
 Hardened steel ball bearings in the main load bearing and secondary thrust bearings touch the swivel raceway "on all four sides." This protects the central king pin from shock loading for free swiveling under heavy loads.
- HEAT-TREATED MOVING PARTS.**
 All moving parts are heat treated to a precise molecular depth and Rockwell hardness. This extends caster life under rugged conditions and shock loads.
- RACEWAY DUST CAP.**
 Dust caps protect the raceway from contamination by dust, dirt, moisture, and other debris.
- THREAD GUARDS.**
 Available on most wheels, keeps unwanted materials out of the wheel bearings thus increasing the life of the caster.

SWIVEL



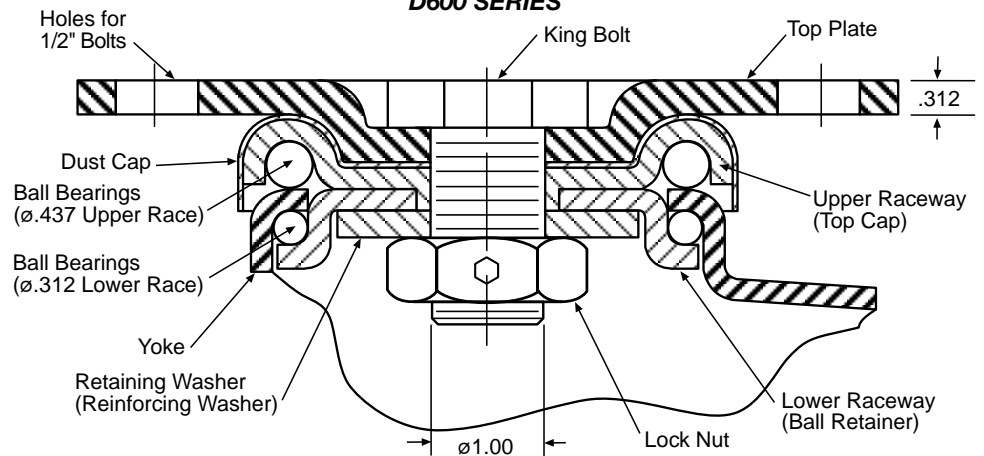
RIGID



Options

- High-Temperature Wheels
- Conductive or Static-Dissipative Wheels
- Gray, Non-marking Wheels
- Powder Coated Finishes

FOUR SIDED DOUBLE BALL BEARING RACEWAY D600 SERIES



Wheel Selection

NEOPRENE RUBBER

HI-CAP NEOPRENE

STEEL DISC

HARD RUBBER

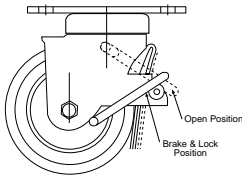
MOLD-ON NEOPRENE

MOLD-ON POLYURETHANE



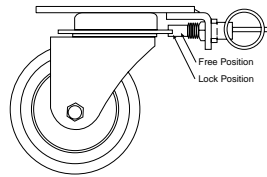
BRAKES

Heavy Duty Combination (CB)



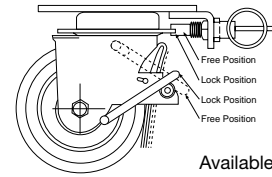
This combination swivel and wheel brake was especially designed for heavy equipment that must be made firmly immobile. The wheel brake is constructed in conjunction with the swivel and the wheel will not roll. The overall height of this caster with the brake applied or released remains the same, even when used with companion casters as a swivel or rigid. Available in 6" and 8" only.

Four Position Swivel Lock (SL)



A horizontal four position swivel lock with spring-loaded plunger to securely hold the swivel in the slotted position desired. Plunger can be put into neutral position for free swiveling action.

Combination Four Position Swivel Lock & Wheel Brake (SL-CB)



Available 6"-8"

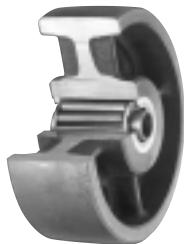
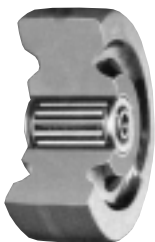
This combination horizontal four position swivel lock and wheel brake was designed to work together or operate independently from one another. Both the swivel lock plunger and the wheel brake operate from a spring steel action to assure a positive operation. CB Available in 6" and 8" only.

Diameter	Tread Width	Load Capacity	Wheel Material	Bearing	Swivel Part Number	Rigid Part Number	Approx. Weight	Overall Height	Swivel Radius						
5	2 ³ / ₁₆	550	STEEL DISC NEOPRENE	ROLLER	605-6-TDN-T-SD	605-6-TRDN-T-SD	15	7-1/16	4-1/2						
		600	STEEL DISC HI-CAP NEOPRENE	ROLLER	605-6-TKN-T-SD	605-6-TRKN-T-SD	13-3/4								
		1200	STEEL DISC POLYURETHANE	ROLLER	605-6-TADI-T-SD	605-6-TRADI-T-SD	15								
		1400	CAST IRON	ROLLER TAPERED ROLLER	605-6-TCI 605-6-YCI	605-6-TRCI 605-6-YRCI	15-1/2								
	2 ¹ / ₂	550	NEOPRENE RUBBER	ROLLER	605-6-TDN	605-6-TRDN	13-3/4			15					
		700	HI-CAP NEOPRENE	ROLLER	605-6-TKN	605-6-TRKN									
		1000	HARD RUBBER	ROLLER	605-6-TH	605-6-TRH									
		6	2 ³ / ₁₆	550	STEEL DISC NEOPRENE	ROLLER					606-6-TDN-T-SD	606-6-TRDN-T-SD	15	8-1/8	4-3/4
				600	STEEL DISC HI-CAP NEOPRENE	ROLLER					606-6-TKN-T-SD	606-6-TRKN-T-SD	17-1/2		
				1200	STEEL DISC POLYURETHANE	ROLLER					606-6-TADI-T-SD	606-6-TRADI-T-SD	18-1/4		
1400	POLYURETHANE / CAST IRON HUB			ROLLER TAPERED ROLLER	606-6-TADI-M-CI 606-6-YADI-M-CI	606-6-TRADI-M-CI 606-6-YRADI-M-CI									
2 ¹ / ₂	1500	CAST IRON	ROLLER TAPERED ROLLER	606-6-TCI 606-6-YCI	606-6-TRCI 606-6-YRCI	15									
		550	NEOPRENE RUBBER	ROLLER	606-6-TDN		606-6-TRDN								
		700	MOLD-ON NEOPRENE	TAPERED ROLLER	606-6-YDN-M-CI		606-6-YRDN-M-CI								
		875	HI-CAP NEOPRENE	ROLLER	606-6-TKN		606-6-TRKN								
		1000	MOLD-ON HI-CAP NEOPRENE	ROLLER	606-6-TKN-M-CI		606-6-TRKN-M-CI								
		1000	HARD RUBBER	ROLLER	606-6-TH		606-6-TRH								
8	1 ³ / ₄	550	STEEL DISC NEOPRENE	ROLLER	608-6-TDN-T-SD	608-6-TRDN-T-SD	18	10-3/16	5-7/8						
		700	STEEL DISC HI-CAP NEOPRENE	ROLLER	608-6-TKN-T-SD	608-6-TRKN-T-SD	21								
		1500	STEEL DISC POLYURETHANE	ROLLER	608-6-TADI-T-SD	608-6-TRADI-T-SD									
	2 ¹ / ₄	1500	CAST IRON	ROLLER TAPERED ROLLER	608-6-TCI 608-6-YCI	608-6-TRCI 608-6-YRCI	16								
			700	MOLD-ON NEOPRENE	TAPERED ROLLER	608-6-YDN-M-CI				608-6-YRDN-M-CI					
	2 ¹ / ₂	1000	NEOPRENE RUBBER	ROLLER	608-6-TDN	608-6-TRDN	21								
			1000	HARD RUBBER	ROLLER	608-6-TH				608-6-TRH					
			1400	PHENOLIC	ROLLER	608-6-TPR				608-6-TRPR					
			1400	POLYURETHANE / CAST IRON HUB	ROLLER	608-6-TADI-M-CI				608-6-TRADI-M-CI					
			1400	POLYURETHANE / CAST IRON HUB	TAPERED ROLLER	608-6-YADI-M-CI				608-6-YRADI-M-CI					

PHENOLIC

CAST IRON

TOP PLATE



STANDARD

#6

